

# PRODUCT INFORMATION PACKET

Model No: 5KH33KN5594

Catalog No: H673

1/3 HP General Purpose Motor, 1 phase, 1500 RPM, 220 V, 56Z Frame, ODP  
Single Phase ODP Motors





### Nameplate Specifications

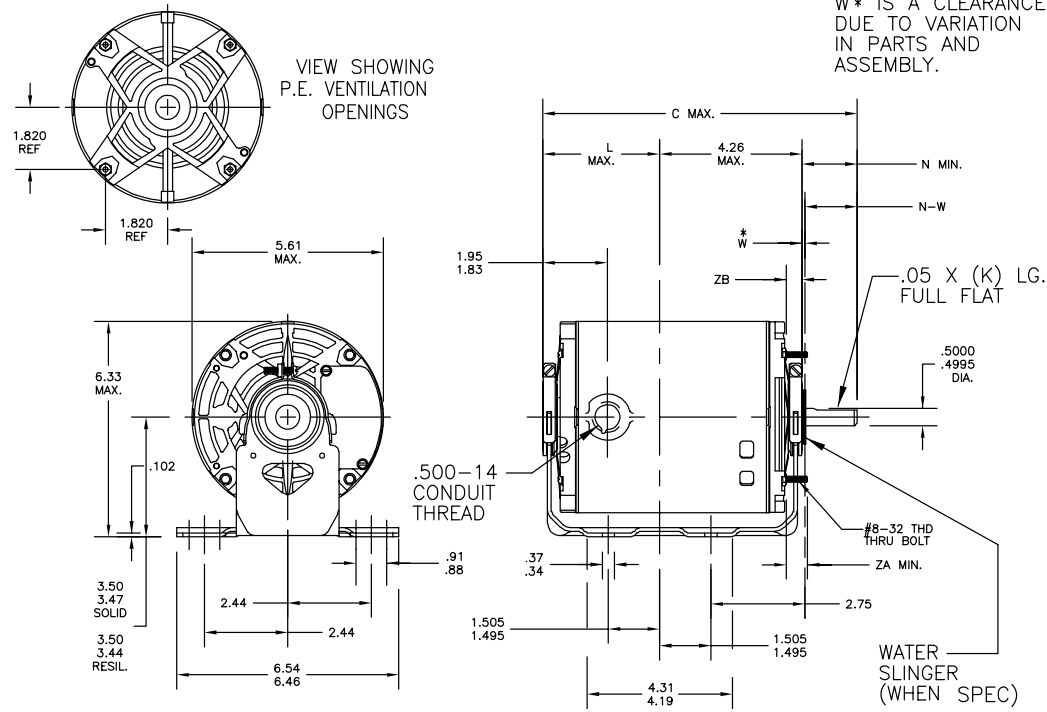
Output HP	0.33 Hp	Output KW	0.25 kW
Frequency	50 Hz	Voltage	220 V
Current	3.5 A	Speed	1425 rpm
Service Factor	1	Phase	1
Efficiency	59.5 %	Power Factor	0
Duty	Continuous	Insulation Class	B
KVA Code	S	Frame	56Z
Enclosure	Drip Proof	Thermal Protection	NONE
Ambient Temperature	40 °C	Drive End Bearing Size	6203
Opp Drive End Bearing Size	6203	UL	Recognized
CSA	Yes	CE	N

### Technical Specifications

Electrical Type	Split Phase	Poles	4
Rotation	Counterclockwise/Clockwise	Mounting	Resilient Base
Motor Orientation	ANY	Drive End Bearing	BALL
Opp Drive End Bearing	Ball	Frame Material	Rolled Steel
Overall Length	9.19 in	Frame Length	5.41 in
Shaft Diameter	0.500 in	Shaft Extension	1.5 in
Outline Drawing	52A106985P4	Connection Drawing	52A105377AA

This is an uncontrolled document once printed or downloaded and is subject to change without notice. Date Created:03/11/2020

52A106985



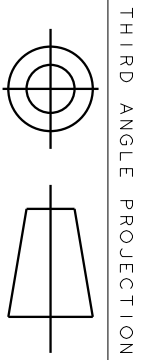
W\* IS A CLEARANCE DUE TO VARIATION IN PARTS AND ASSEMBLY.

5	KH	38	56Z	11.61	1.50	5.23	2.00	2.13/1.91	.62	.55/.52
4	KH	33	56Z	9.19	1.16	3.48	1.50	1.63/1.41	.15	.55/.52
3	KH	35	56Z	10.18	1.50	3.80	2.00	2.13/1.91	.62	.55/.52
2	KH	37	56Z	11.01	1.50	4.63	2.00	2.13/1.91	.62	.55/.52
1	KH	33	56Z	9.19	1.16	3.48	1.50	1.63/1.41	.62	.55/.52
P	TYPE	RBC SIZE	NEMA FR	C	K	L	N	N-W	ZA	ZB

				TOLERANCES UNLESS SPECIFIED				DRAWN MAM 10/14/89					
				DEC.		INCHES		CHK					
				.X		±0.1		APPD DS 09/03/2014					
				.XX		±0.02		SCALE 1=1					
J	ECS DIMENSIONS ADDED PER ECO-0059212			JAH	09/3/2014		DS	.XXX		±0.005		REF	
8	CHG. TO RBC FORMAT PER ISO5-1777			ARC	02/15/06		ARC	.XXXX		±0.0005		FMF	
NO.	REVISION			CHK	BY & DATE		ANG	±1.0		FINISH		PREV	
THIS DRAWING IN DESIGN AND DETAIL IS OUR PROPERTY AND MUST NOT BE USED EXCEPT IN CONNECTION WITH OUR WORK ALL RIGHTS OF DESIGN AND INVENTION ARE RESERVED THIS IS AN ELECTRONICALLY GENERATED DOCUMENT - DO NOT SCALE THIS PRINT				RFP	CAD FILE				52A106985		SIZE	DRAWING NO.	REV.
				DIST				A		52A106985		J	



TITLE OUTLINE  
FORM N - GENERAL PURPOSE MOTOR -DRIP



THIRD ANGLE PROJECTION

REVISIONS

REV.	DESCRIPTION	DATE	APPROVED
1	UPDATED FORMAT	11/10/05	MAM

EITHER ROTATION - SINGLE VOLTAGE  
TYPE KC, OR KH



NOTE #1 - TO REVERSE ROTATION INTERCHANGE BLACK (T5-KH OR J9-KC) AND RED (T8) LEADS.

NOTE #2 - WHEN MORE THAN ONE CAPACITOR IS USED CONNECT IN PARALLEL.

REF. DIAG. - 121A850		SWITCH (C) - 115D958AB	
CONNECTION LABEL - 52X332047			
SIGNATURES			
MODEL	M.D. PAPER	DATE	
DETAIL			
CHECKED			
ENGRG			
MFG			
QUALITY			
ISSUED	M.D.P.	DATE	
MATERIAL		SOLID MODEL: 52A105377AA	
FOR ADDITIONAL INFO REFER TO:			
APPLIED PRACTICES			
DIMENSIONS ARE IN INCHES			



REGAL-BELOLT CORPORATION

CONNECTION DIAGRAM

FME: 30 FRAME SWITCH REDESIGN

52A105377AA

SCALE: 1.000	REF. No:	SHEET 1 of 1
SIZE DRAWING A		REV 1